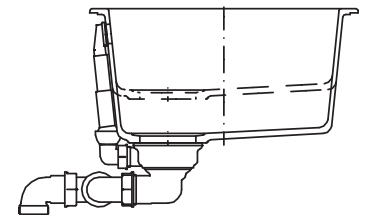
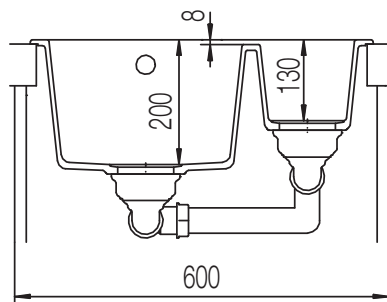
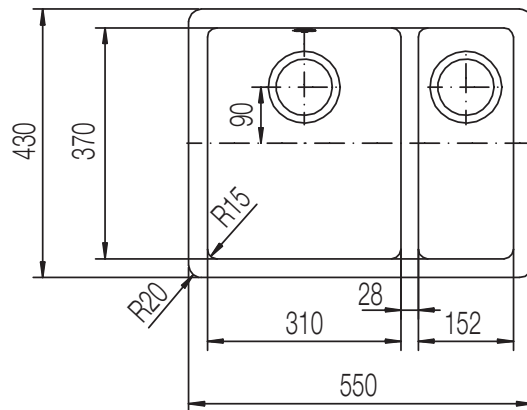


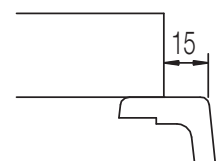
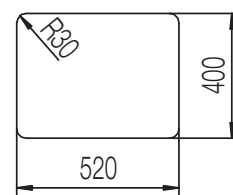
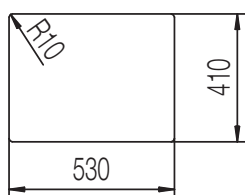
CRISTADUR® SOHO N-150

MEASUREMENTS IN MILLIMETRE



For installation from top

For undermount installation

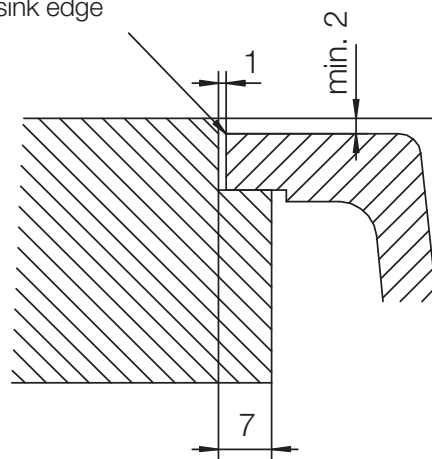


When using the flush-mounted
glass chopping board:
Countertop thickness = 12 mm or 20 mm

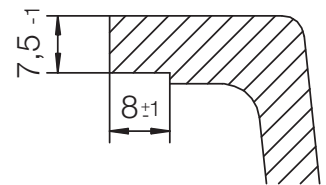
CRISTADUR® SOHO N-150

MEASUREMENTS IN MILLIMETRE

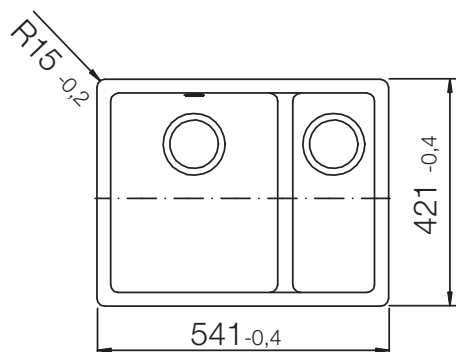
dimensioned sink edge



edge 1:1

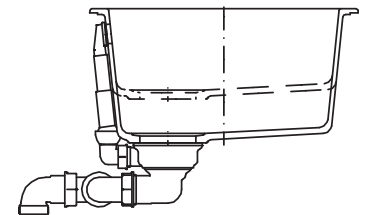
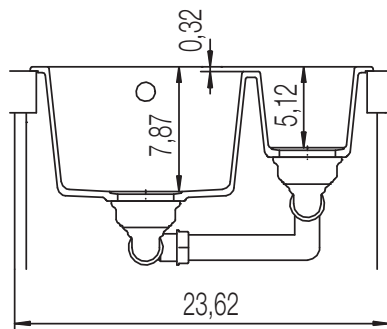
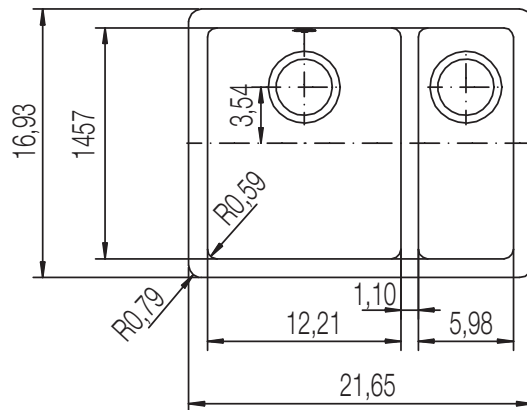


For flush-mount installation



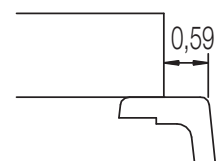
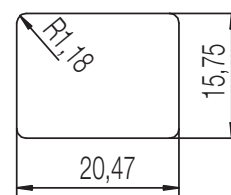
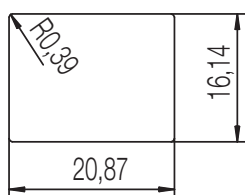
CRISTADUR® SOHO N-150

MEASUREMENTS IN INCHES



For installation from top

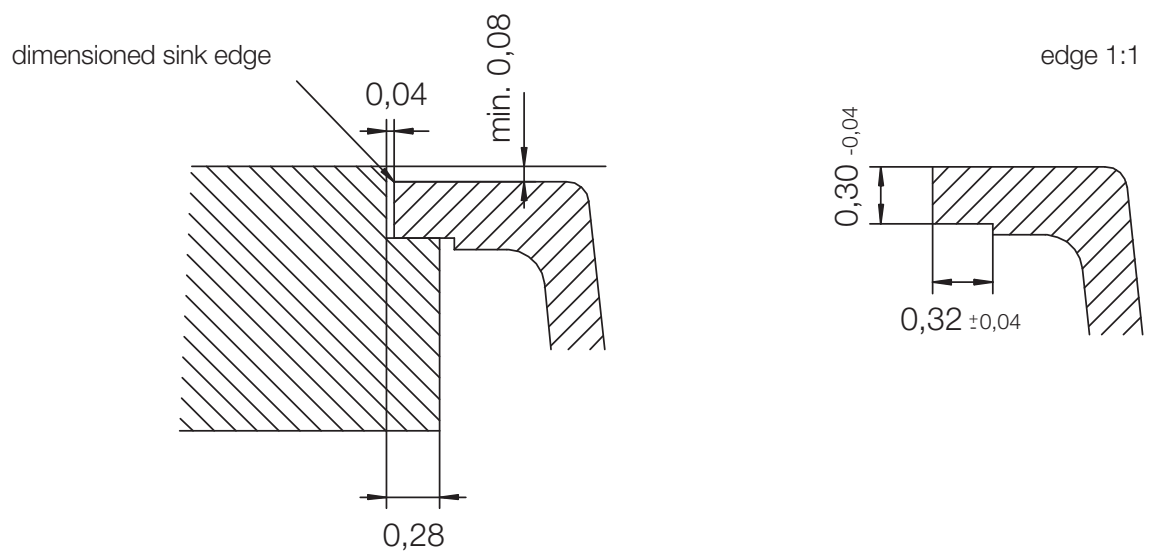
For undermount installation



When using the flush-mounted
glass chopping board:
Countertop thickness = 0.47 inch or 0.79 inch

CRISTADUR® SOHO N-150

MEASUREMENTS IN INCHES



For flush-mount installation

